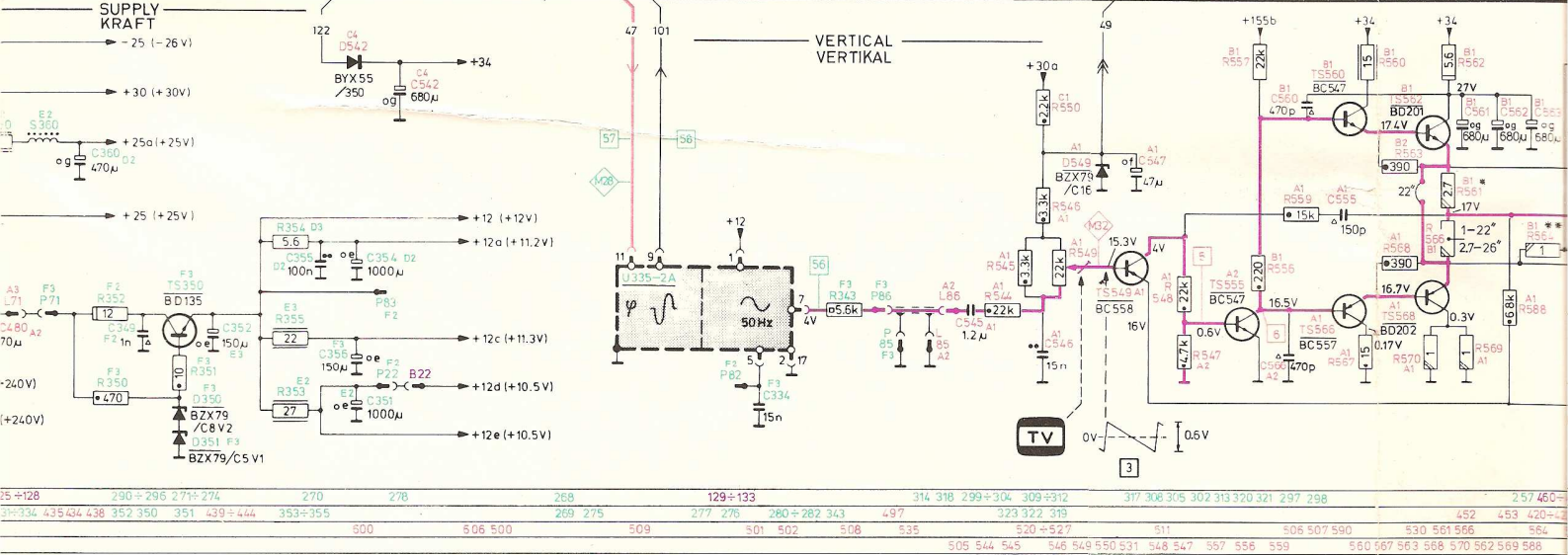
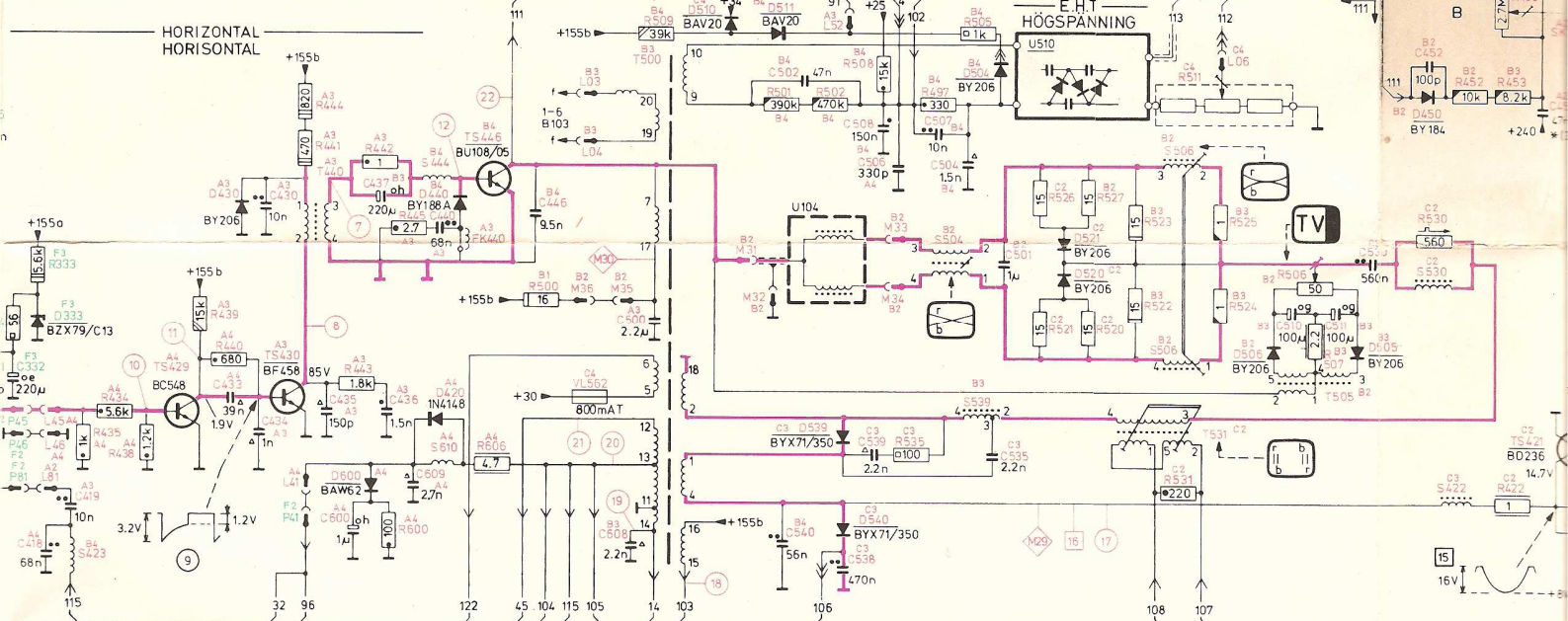
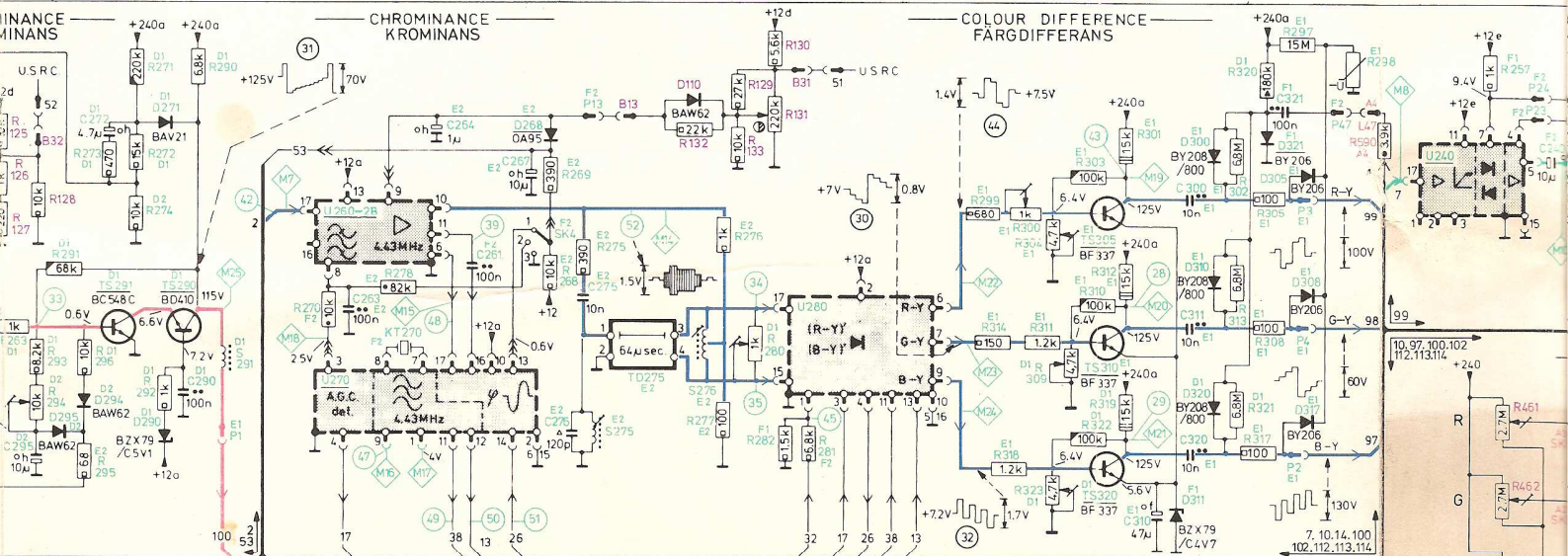


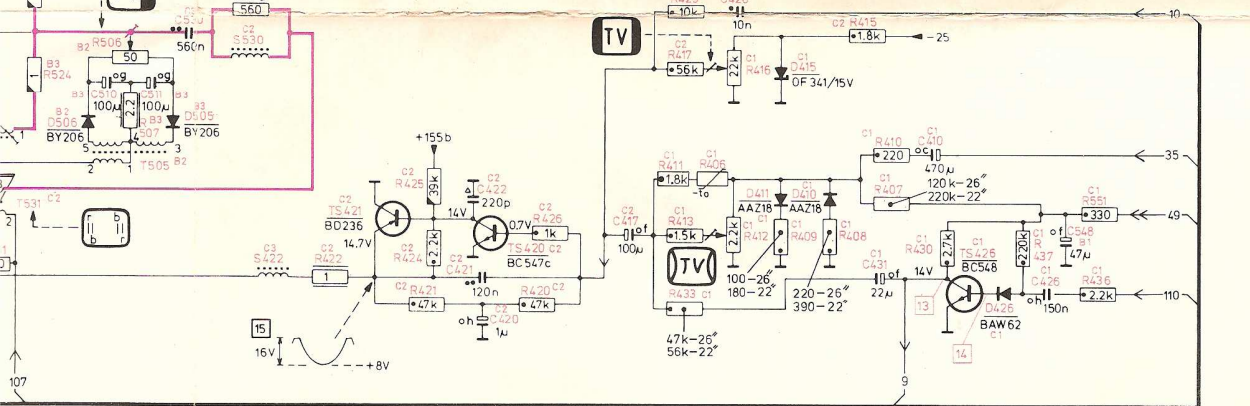
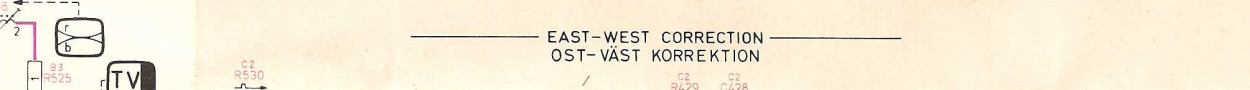
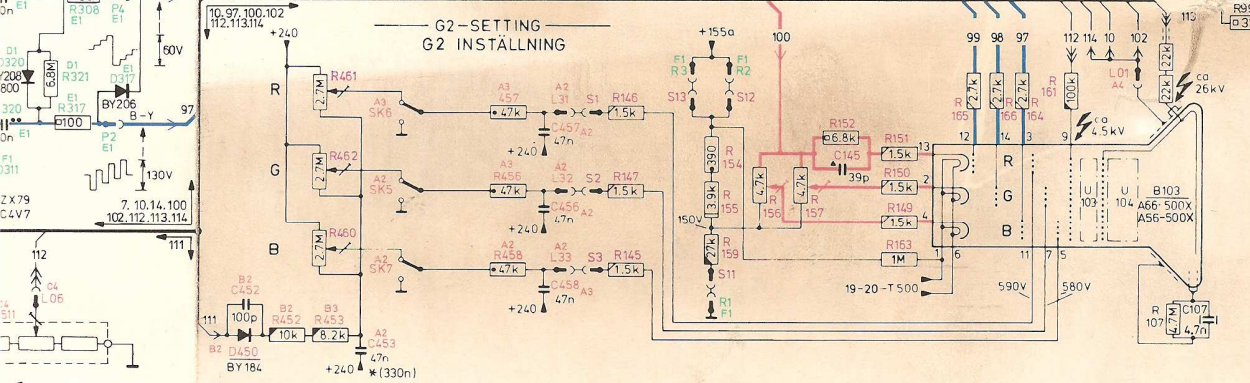
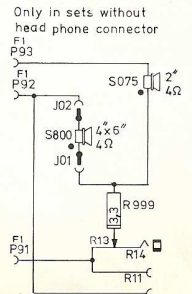
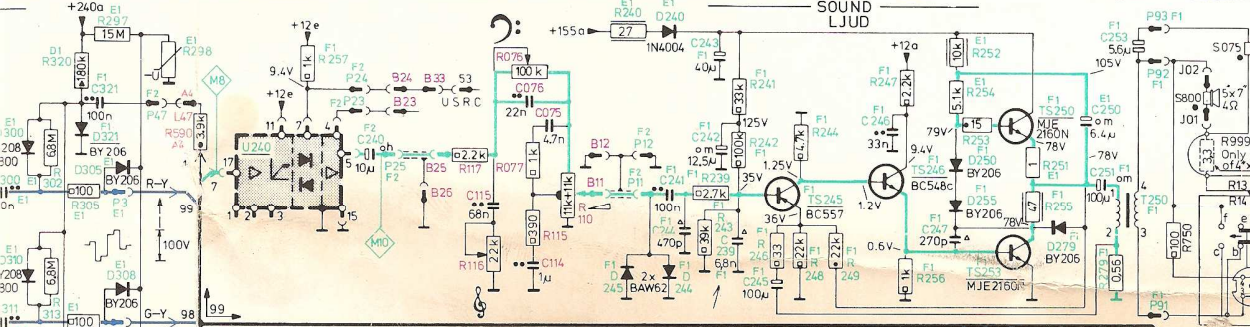


B32 52	P1	P13 B13	B31 51	L52	P23=P25
P45 P46 L45 L46	L41 P41	L03 L04 M35 M35	M31+M34	L06	
L71 P71	P83 P27 B22	F82	P86 P85 L85 L84		
333,295,294,328,291,D290,D271,290,429,350,D350,351,430,430,D600,KT270,D440,446,D542,D258	D110,D510,D539,D540,D511	D504,521,520,549,305,310,320,549	D311,310,310,320,321,305,308,317	555,560,556,562,568,D450,D505	
3,360	U260,270,T440,444,610,FK44,0,D420	TD275,275	T500,U335,276	U510	T505
295,360,272,349	290,352,355,356,354,351,263	264,261,267,276,275	334	310,300,311,320	321
49	433,434,430,435,437,436,542,440	446	500,540,538,539,508,502	506,545,504,507,501,546,535	547
	600,509	608			560,566,510,511,555,530
					452,561+563,453

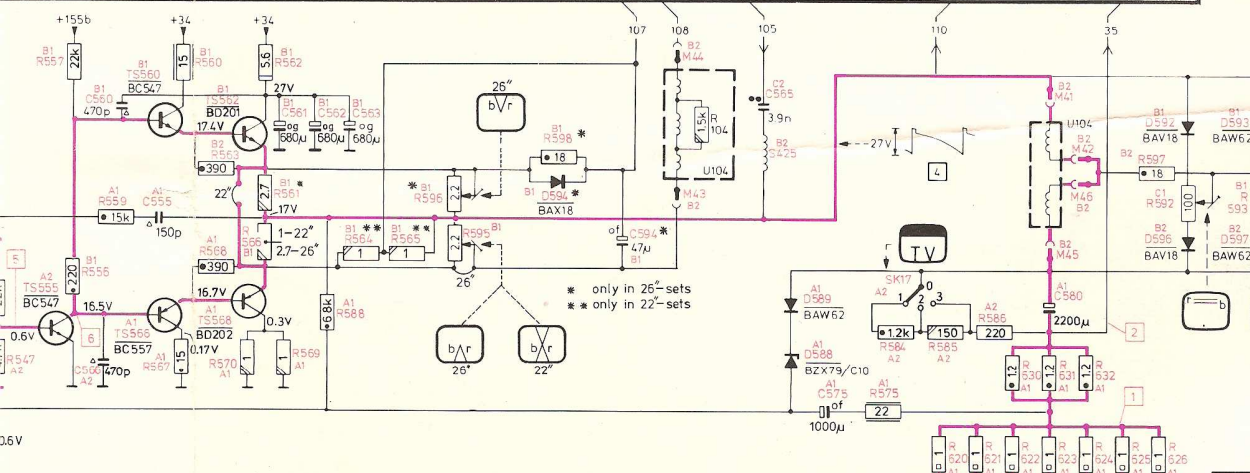


15+128	290+296,274+274	270	276	268	129+133	314,318,299+304,309+312	317,308,305,302,313,320,321,297,298	257,460-
33+34,435,434,436,352,350	351,439+444	353+355	600	606,500	269,275	501,502	280+282,343,497,323,322,319	452,453,420-422
							520+527	564
							505,544,545,546,549,550,531,548,547,557,556,559	560,567,563,568,570,562,569,588

L05										P23+P25										B23+B26 B33 53										B12 B11 P11 P12										P91-P93 R11-R14																																																											
300.310.320.321.305.308.317										555 560 566 562 568 D450 D506 D505 421										420 D594										D245 D240 D244										D411.410.415.589.588 245 246										D250 D255 250 253.4.26 D592 593 596 597 B103 TS-P-B																																																	
T505										530 U240 422										240										115 114 076 075										U104 425										D279										U103.104 T 250 800 804 S-T-U																																							
560 566 510 511 555 530										452 561+563 453										420+422										456+458 417 594										428 565										579 431										410										580 426 548										400-599 C																			
600-																																																																																																			



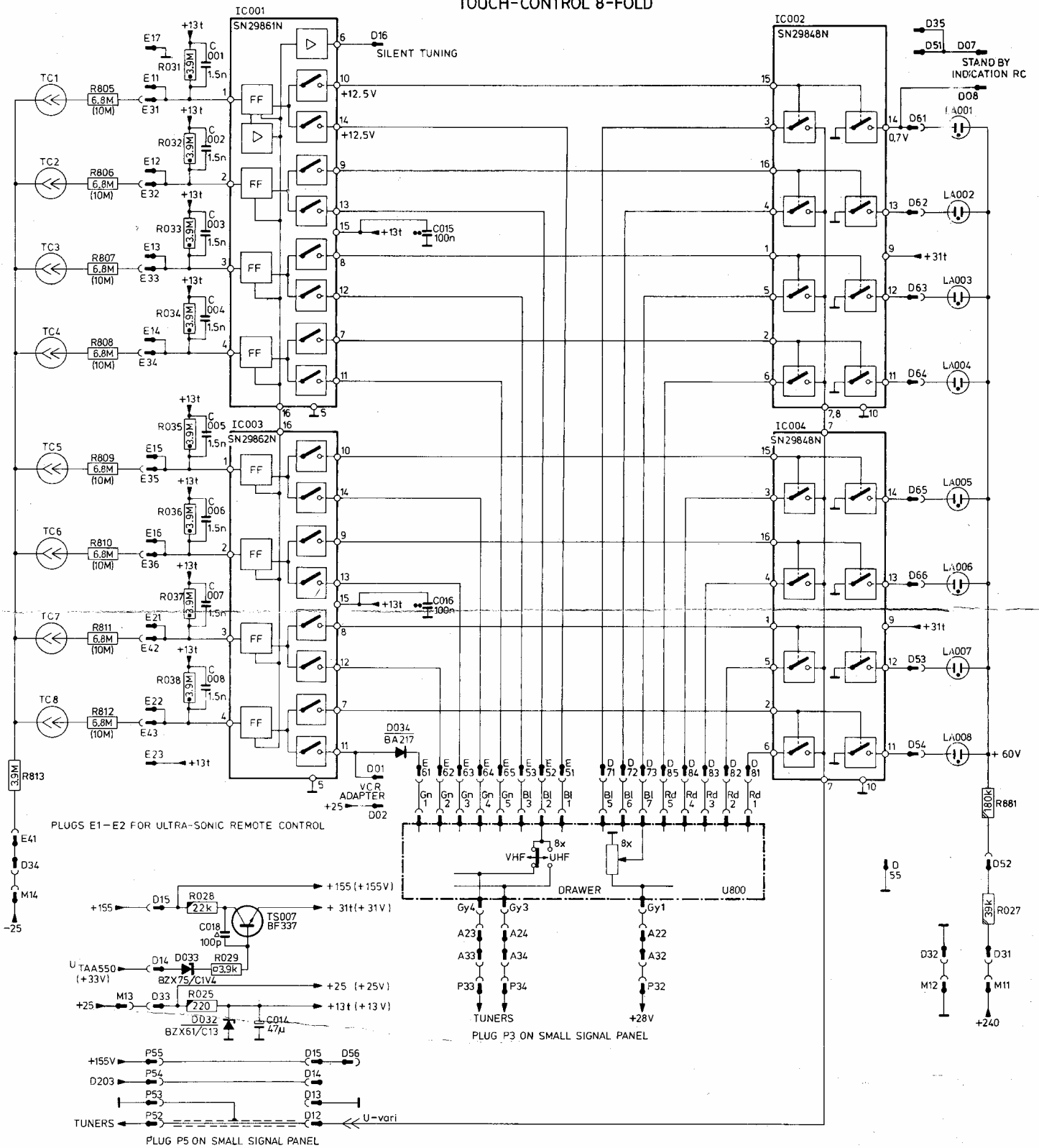
- spring res.
- safety res.
- 0.5W <1.5Ω 5%
- 10W >1.5Ω 10%
- 0.25W <1MΩ 5%
- >1MΩ 10%
- 1W <2.2MΩ 5%
- 0.125W <2.2MΩ 10%
- 5%
- 2W <200Ω 10%
- 5.5W >200Ω 5%
- 400V — 100V
- 250V — 1000V
- 500V — 30V
- 700V

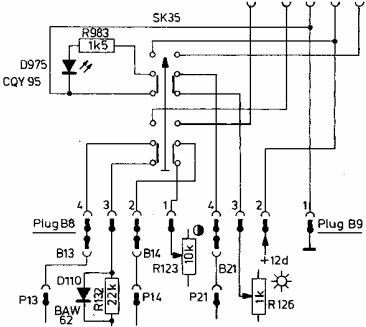
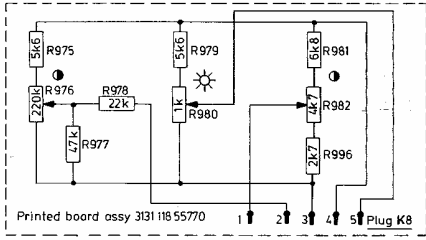


302 313 320 321 297 298										257 460+462										117 116 076										115 110 077										+249.417 239+244										159 152 246 248 249										163 247 254										252 253 251 255 279																													
506 507 590										452 453 420+422 426+426										456+458										145+147.079+473 433										406 154+157.416 415										149+151 256 165.430 166										164 161.37.436										107																													
7 557 556 559										560 567 563 568 570 562 569 588										596 595										598										104										575 584+586										620+626										630+632										597 592										593									

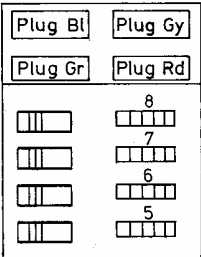
**CTV K11**

# TOUCH-CONTROL 8-FOLD

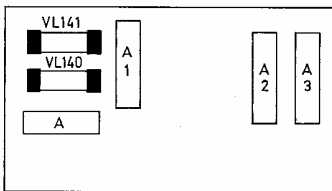




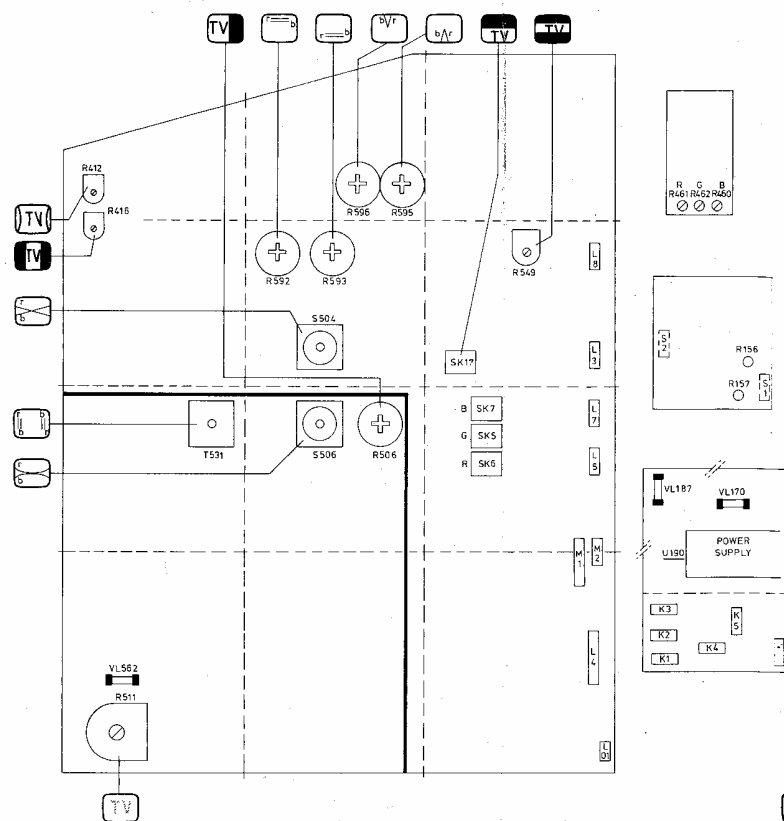
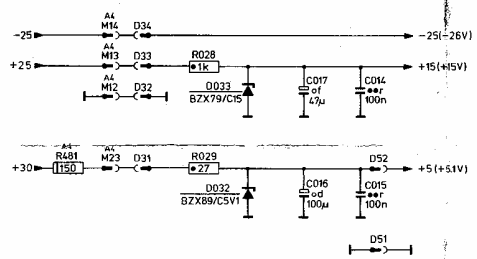
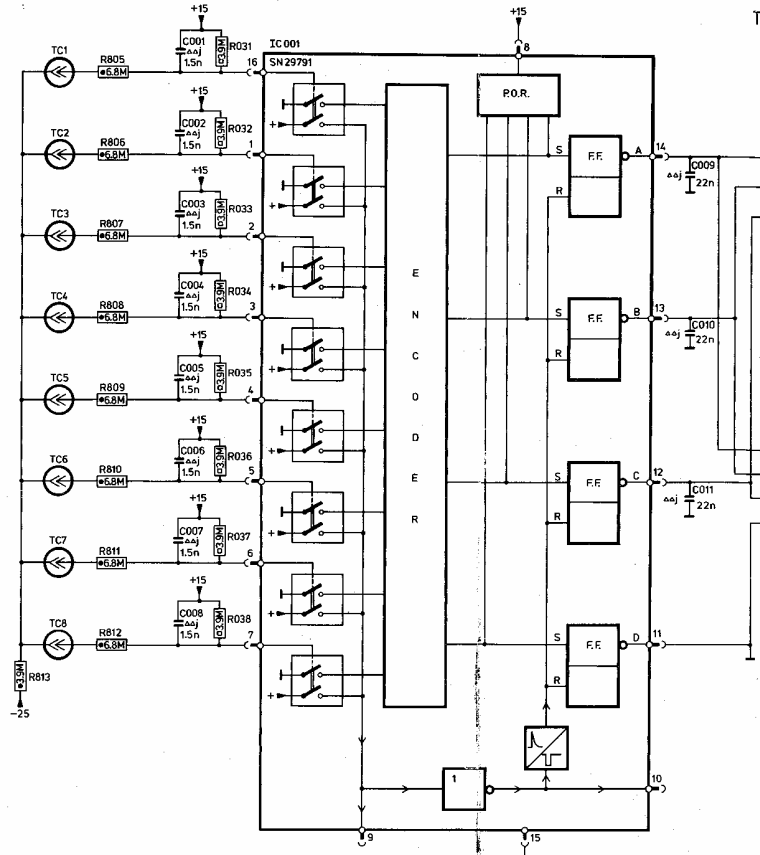
Only in sets with ideal picture knob.  
Endast i apparater med idealbild-knapp.



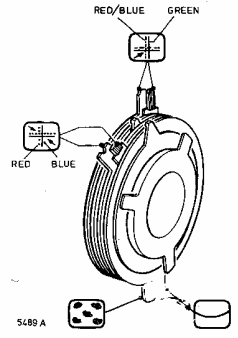
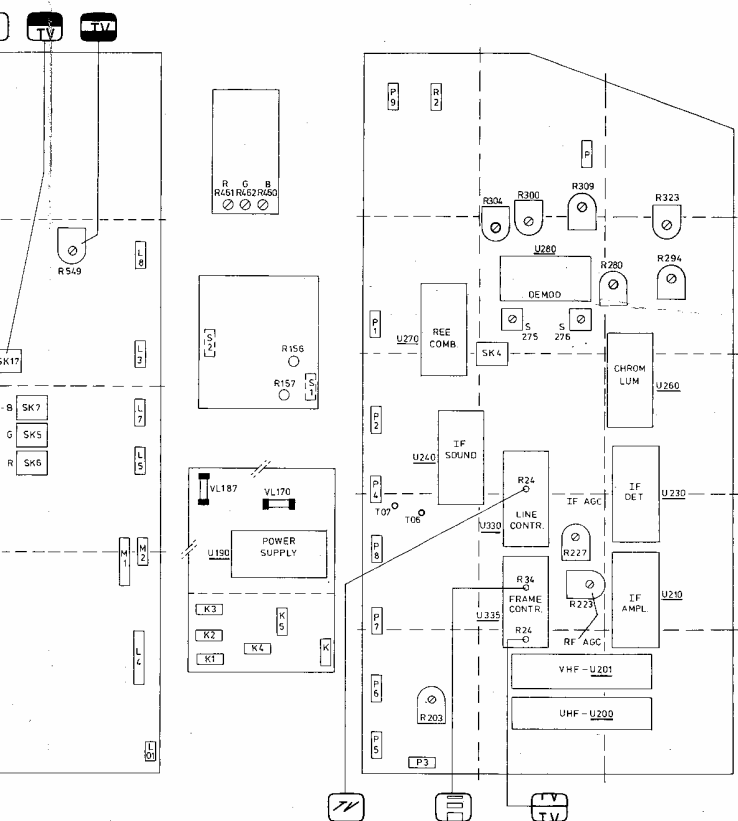
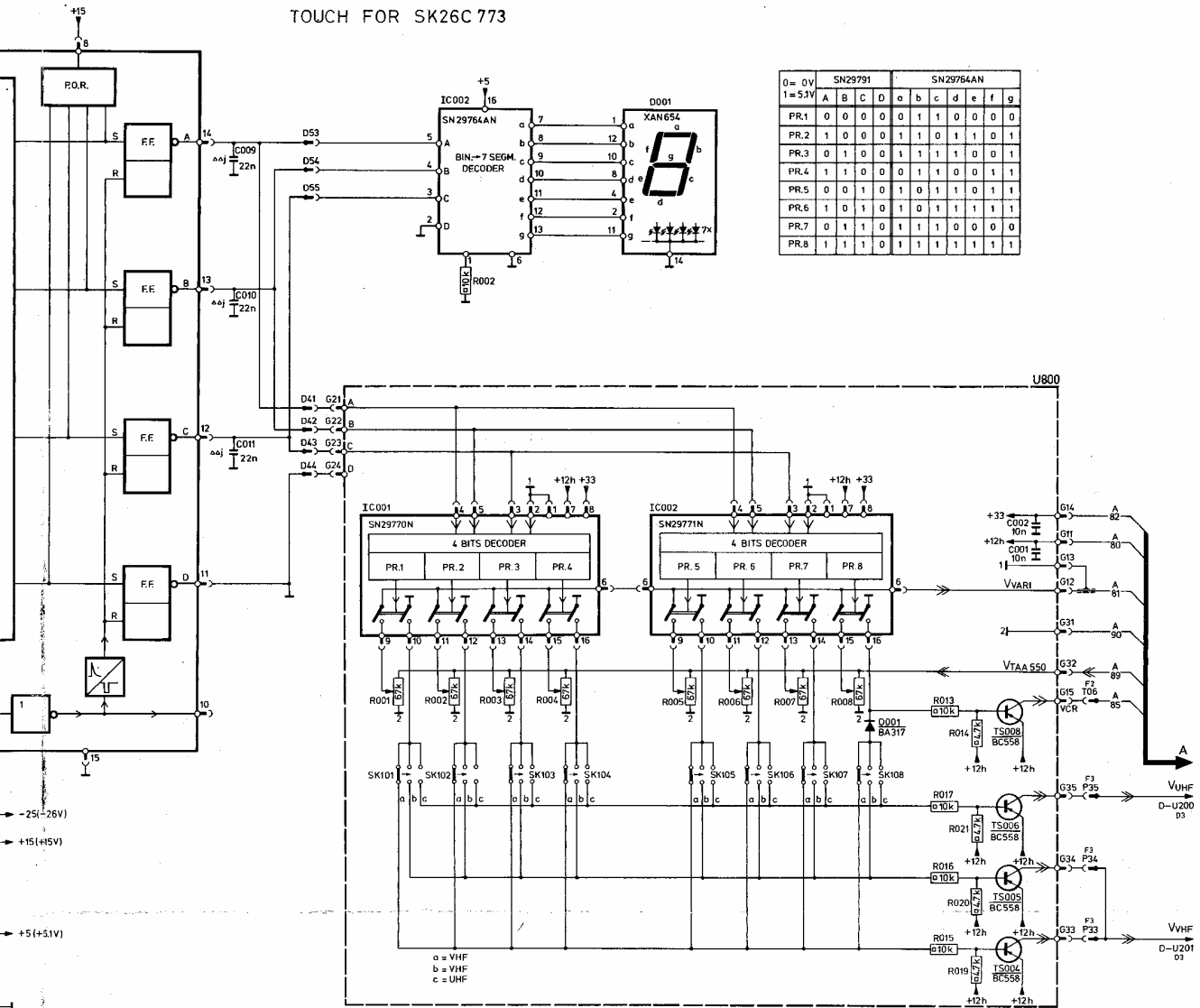
U 800  
Program-selector  
Programväljare



Pi-filter panel.



TOUCH FOR SK26C 773



U190	3122	137	14620	3122	133	31150
U210	3122	137	11820	3122	133	30410
U230	3122	137	11830	3122	133	31020
U240	3122	137	15320	3122	133	30850
U260	3122	137	12830	3122	133	30610
U270	3122	137	11870	3122	133	30460
U280	3122	137	11860	3122	133	30450
U330	3122	137	11850	3122	133	30440
U335	3122	137	11840	3122	133	30430