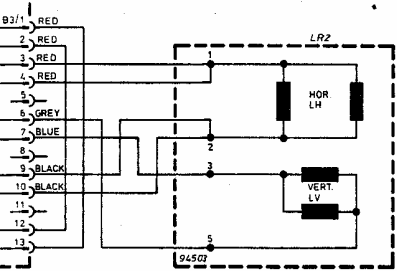
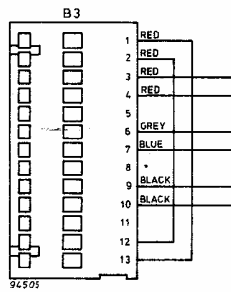
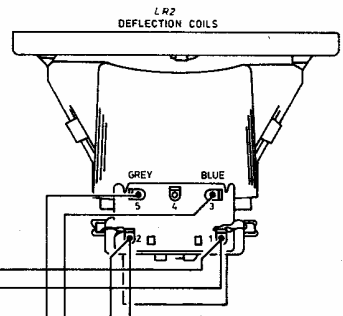
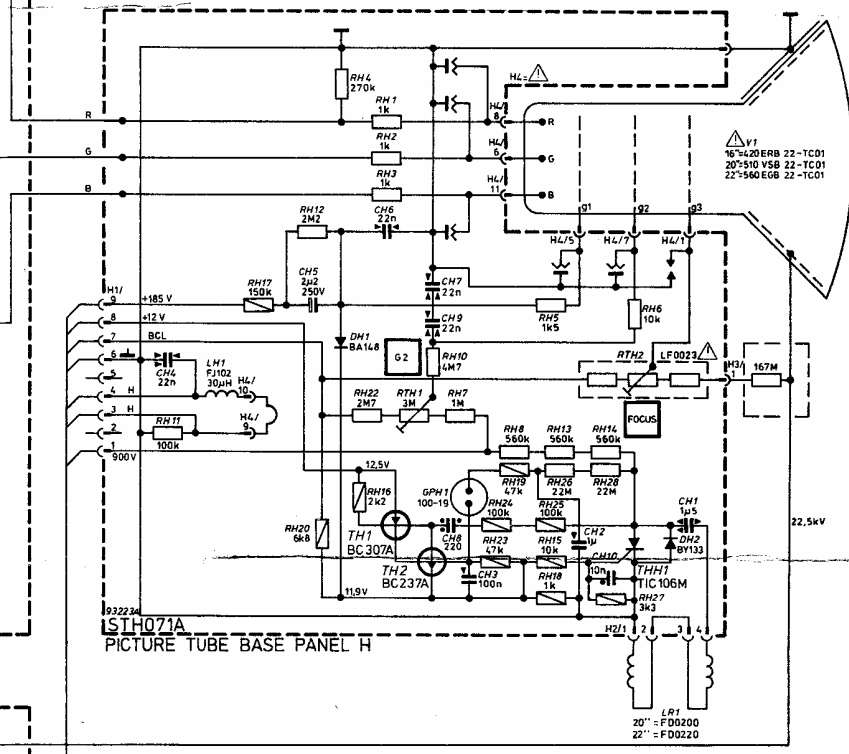
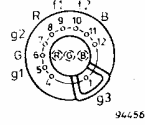
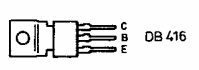
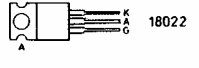
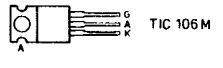
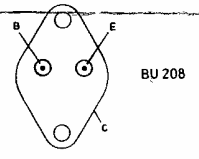
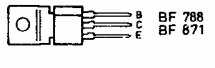
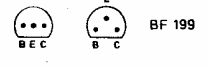
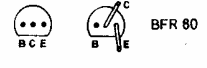
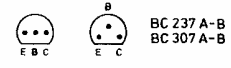
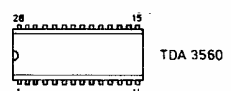
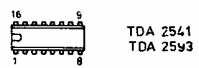
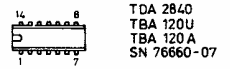
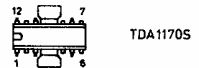


	Ceram.	Polystyrene	Polyester Polycarb.	Polypropylen
	63 V	63 V	100 V	15kV
	1/4 W	160 V	160 V	Tantalum
	1/2 W	250 V	250 V	Paper
	1 W	500 V	500 V	

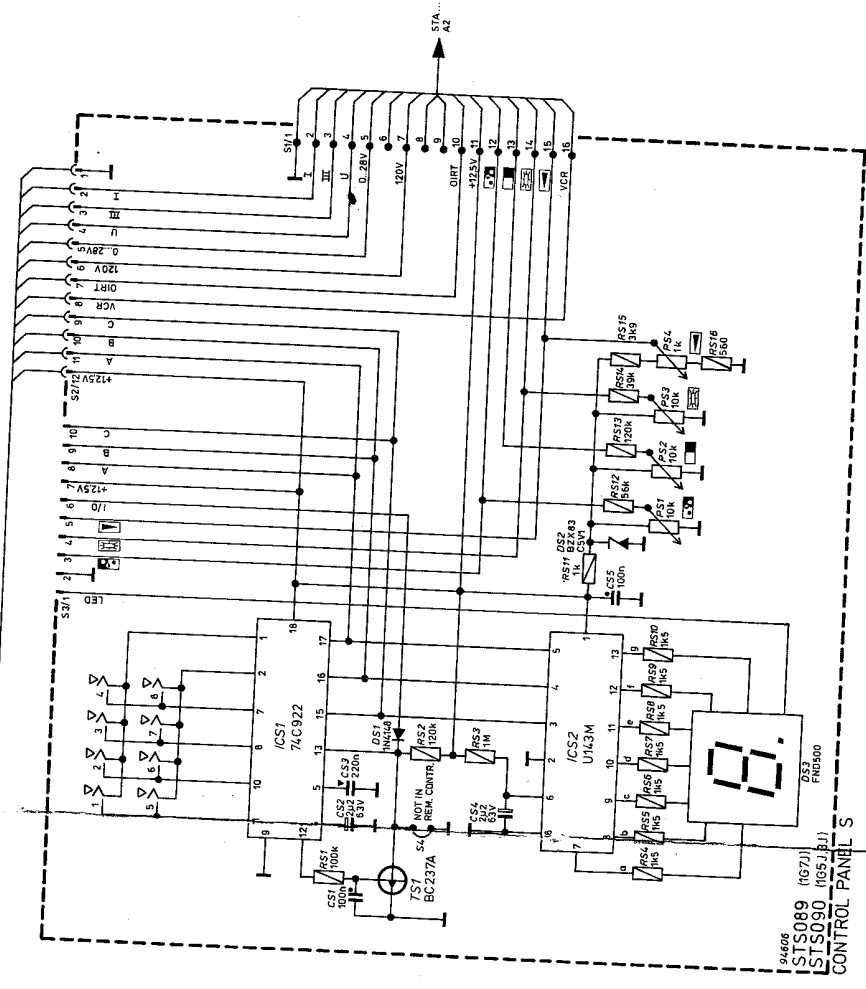
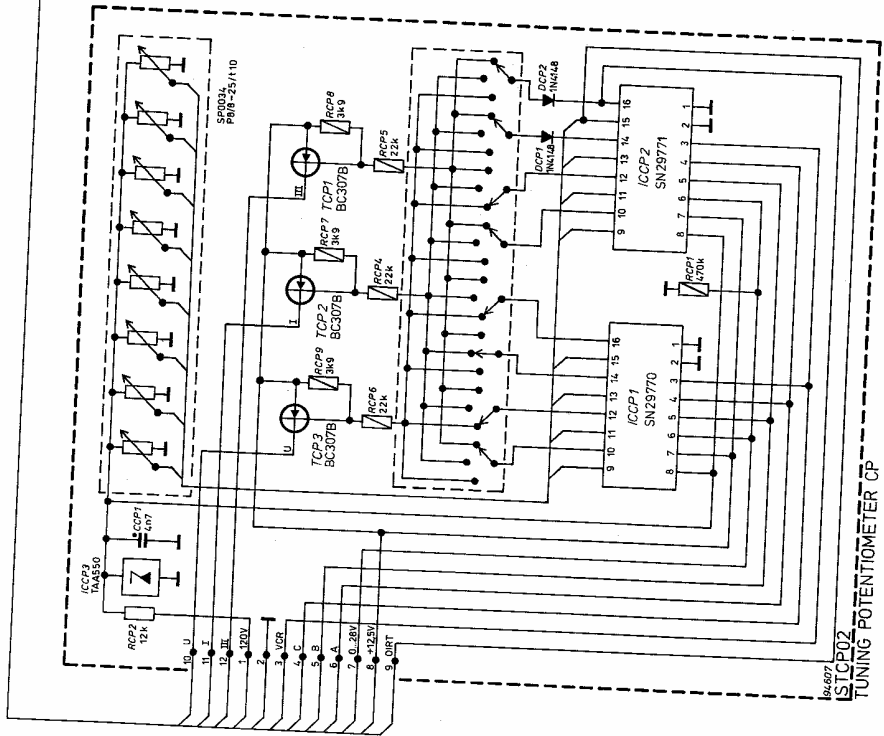


NB. Safety components marked with Δ must be replaced with original or approved components only.
All printed boards and the back cover are also safety components.

The manufacturer reserves the right to change the design and specification without prior notice or warning.

1G3J/5J/7J

STCP-STS



pictures inside the front cover of this manual).

Avoid placing tape recorders, tapes or cassettes close to the receiver. Do not place the receiver close to speakers; the recommended minimum distance to speakers is 3 feet.

Turning or moving the set when switched on may cause small colour errors both in colour and black/white reception. These are corrected automatically when the set is switched off for about 15 minutes.

For transportation of the set the use of original packing material is recommended.

TECHNICAL DATA

Mains voltage	220 V \pm 10 % 50 Hz (in U.K. 240 V \pm 10 %)
Power consumption	40 W during normal viewing
Antennas	75/60 ohm IEC 169—2/DIN 45325 VHF/UHF
Picture IF/Sound IF	38,9 MHz/33,4 MHz & 5,5 MHz CCIR in U.K. 38,9 MHz/32,9 MHz & 6,0 MHz
Picture tube	22" 56 cm 90° In-line
Loudspeaker	5 W/16 ohm 10 x 18 cm
Dimensions	W 65,0 cm
	H 45,4 cm
	D 48,7 cm
Weight	30 kg