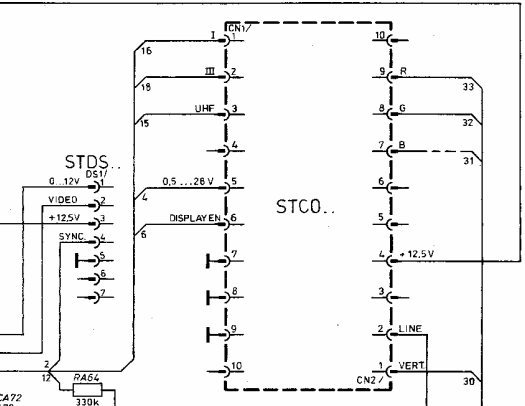
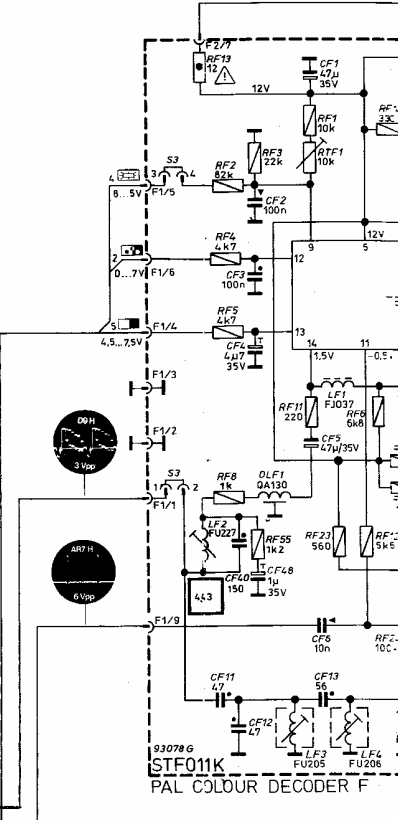


STA033B = 22"
 STA031B = 26"

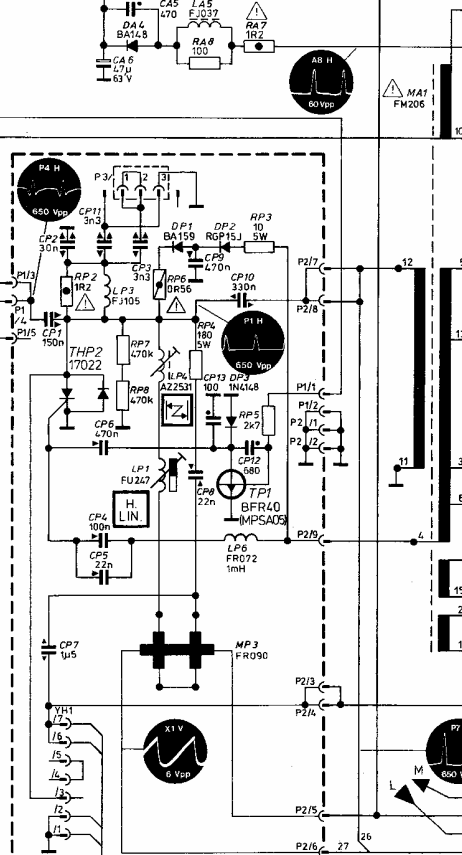
STEQ4.B
SOUND IF-AMPLIFIER
AND DEMODULATOR EJ



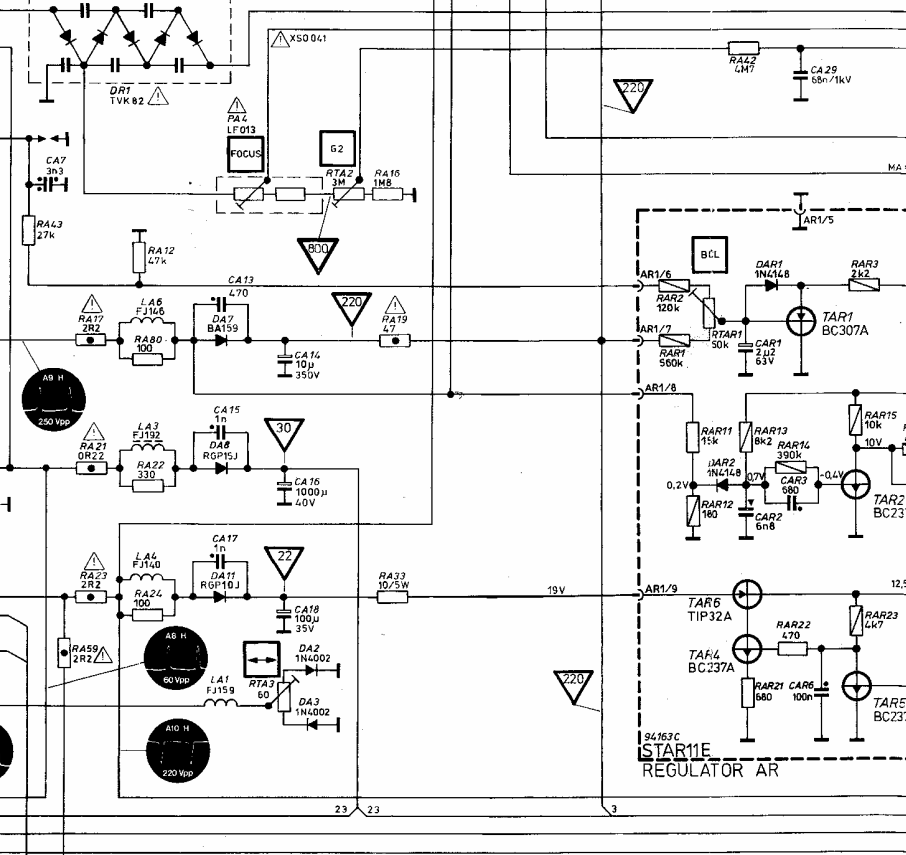
STF011K
PAL COLOUR DECODER F

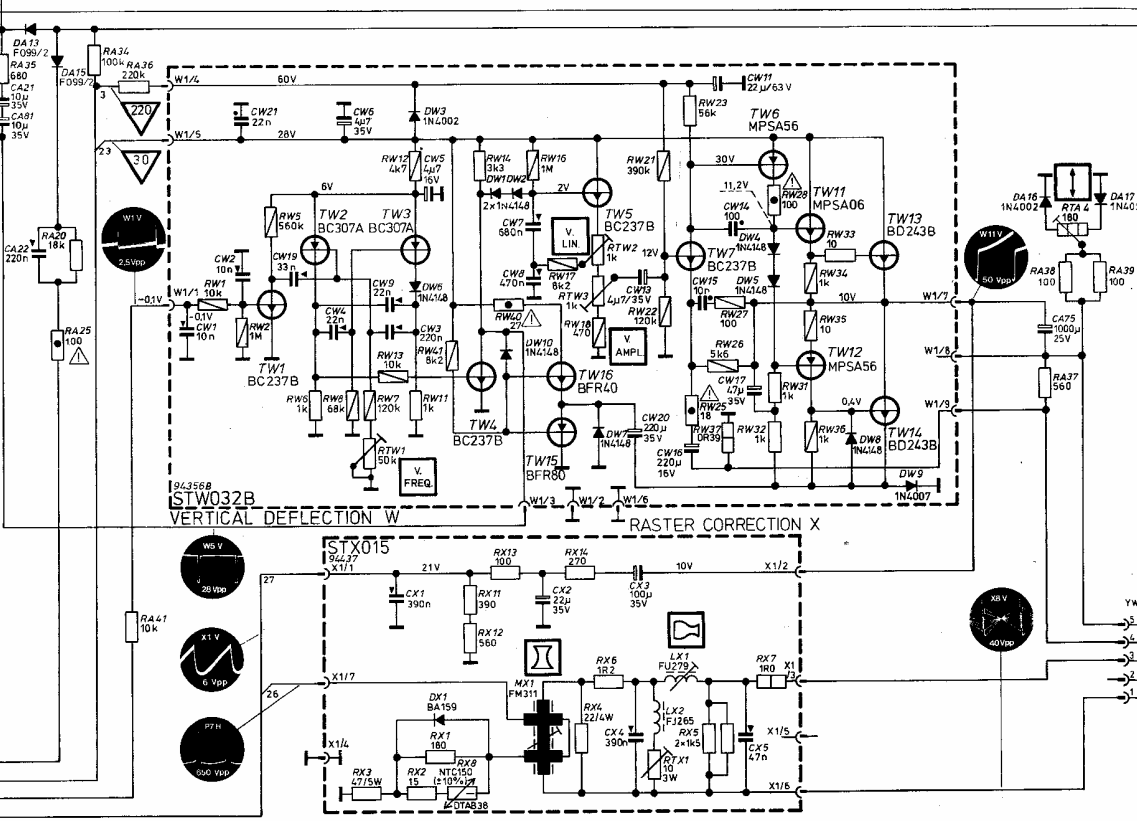
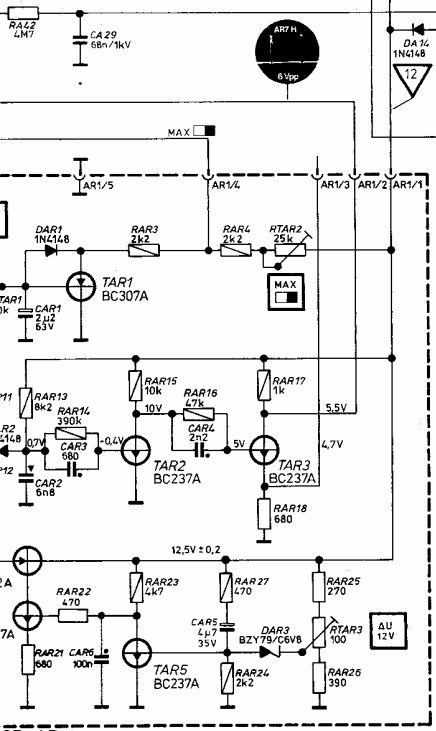
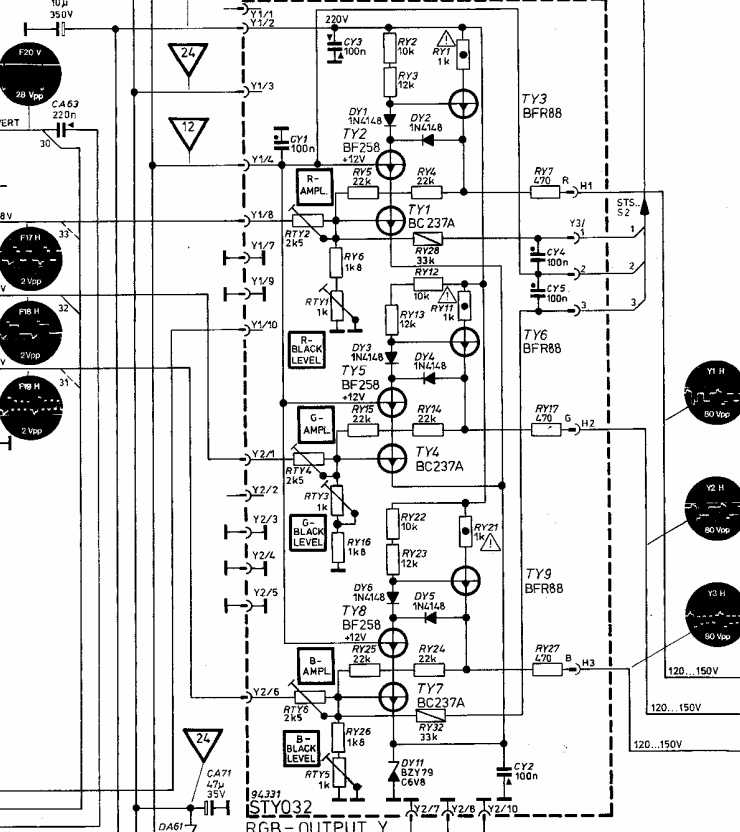
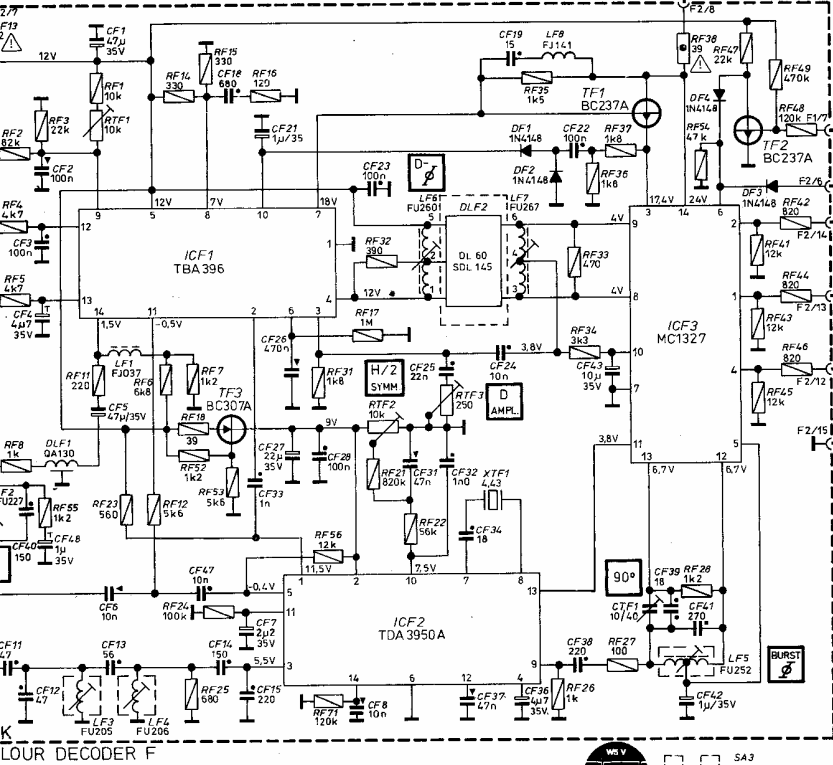


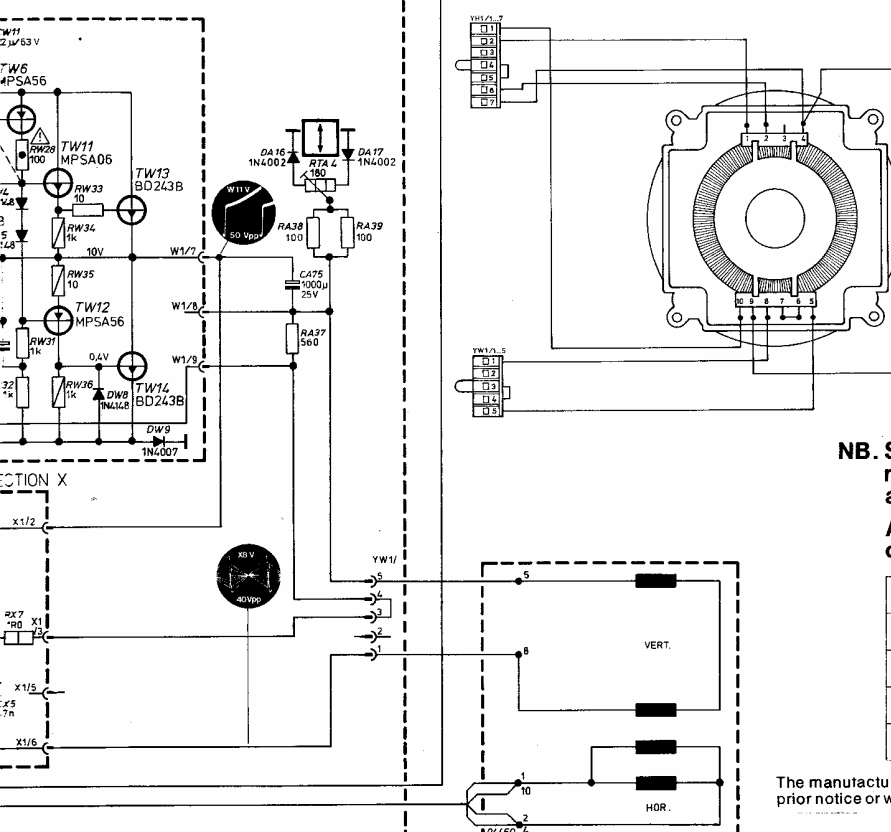
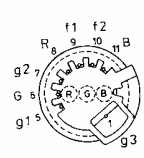
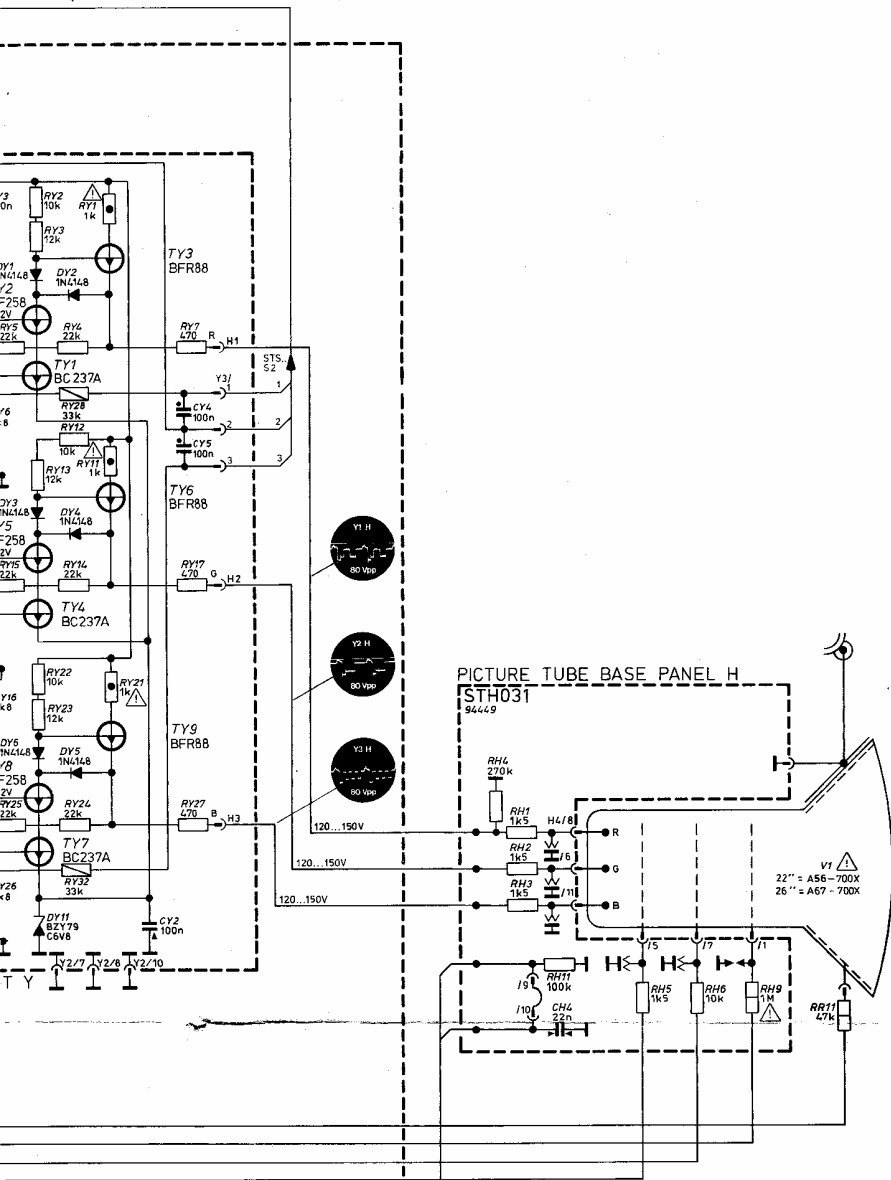
STP029A
LINE
OUTPUT P



STAR1E
REGULATOR AR







NB. Safety components marked with Δ must be replaced with original or approved components only.
All printed boards and the back cover are also safety components.

Symbol	Ceram.	Polystyrene	Polyester Polycarb.	Polypropylen
	\approx 63 V	\approx 63 V	100 V	1.5kV
	1/4 W	160 V	160 V	Tantalum
	1/2 W	250 V	250 V	Paper
	1 W	500 V	400 V	

The manufacturer reserves the right to change the design and specification without prior notice or warning.

1F4/1F8